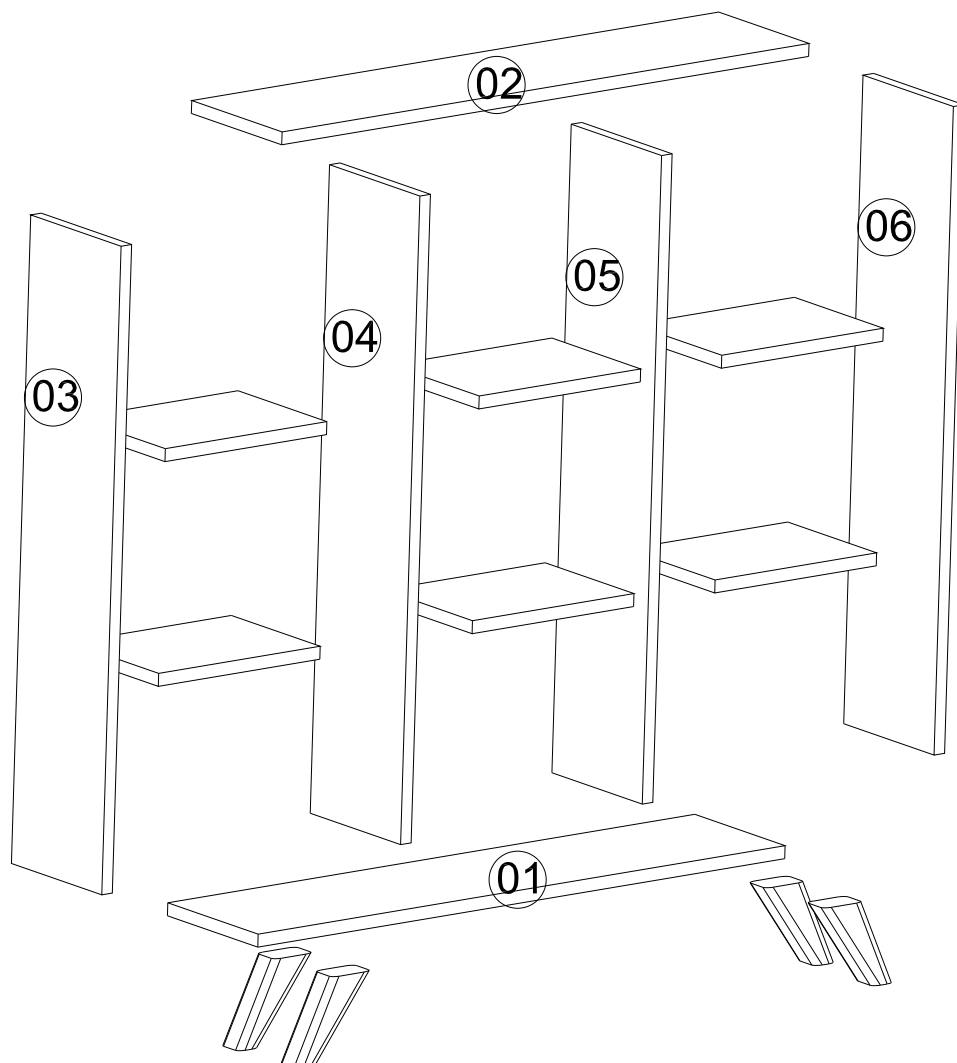


Cansu bookshelf

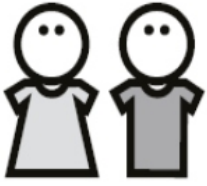
We're here to help - Do not return this product !

Call, email or find us online first !

- If you need help with assembly
- If you received a damaged or defective part
- If you are missing hardware



Read these assembly instructions carefully before beginning. Verify that you have in hands all the wood parts and hardware. Keep this document for future reference.



Two people are required to assemble and move this unit.



Safety First! Do not allow children to climb on or play with furniture.

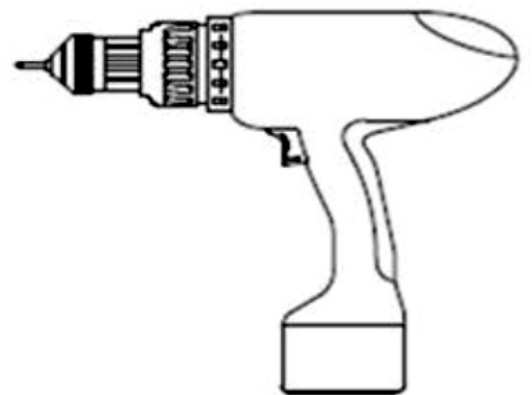
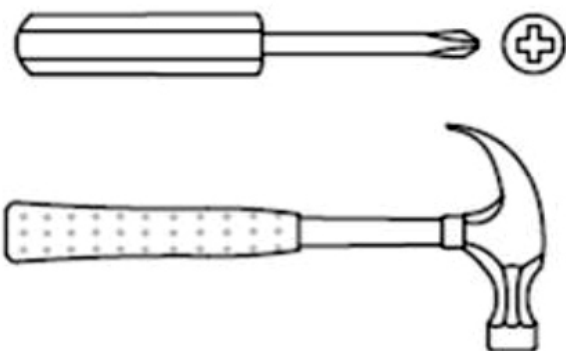
www.dow
Windows

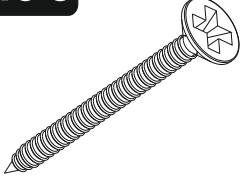
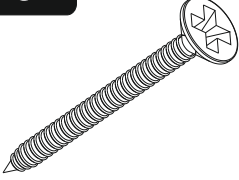
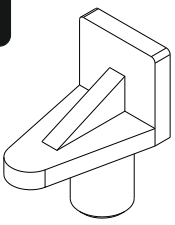

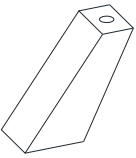


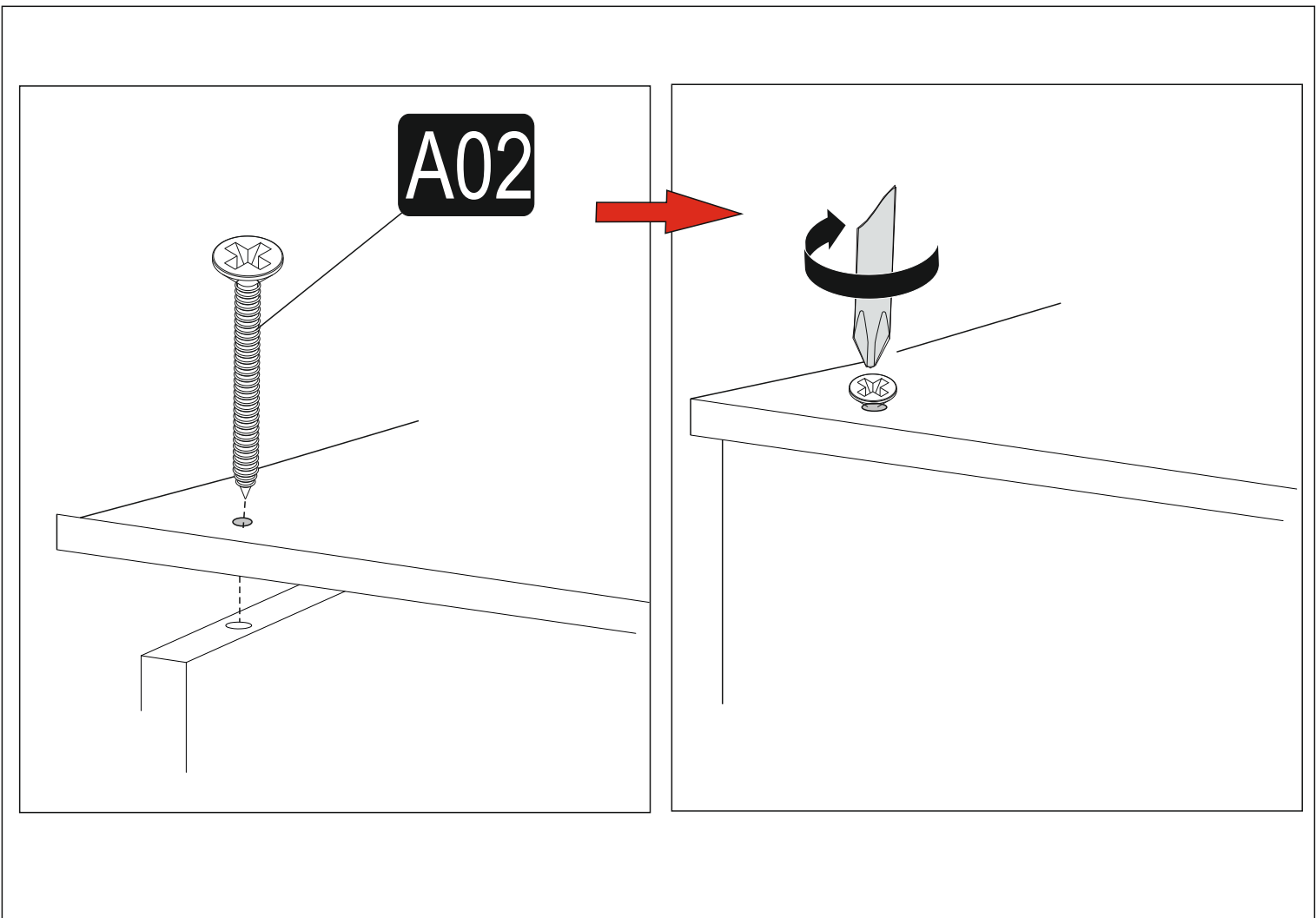
Never leave liquids or damp clothes on your furniture. Never use chemical product to clean your furniture. Do not place your furniture in direct sunlight.

To clean your furniture, dampen a soft cloth with a mild solution of dishwashing liquid. Squeeze excess water. Clean unit and wipe it dry.

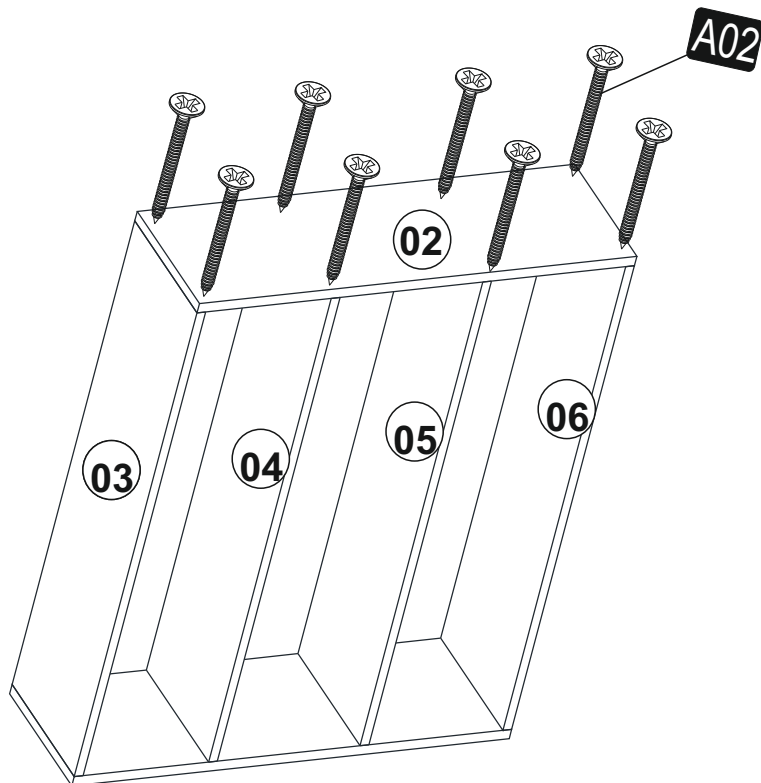
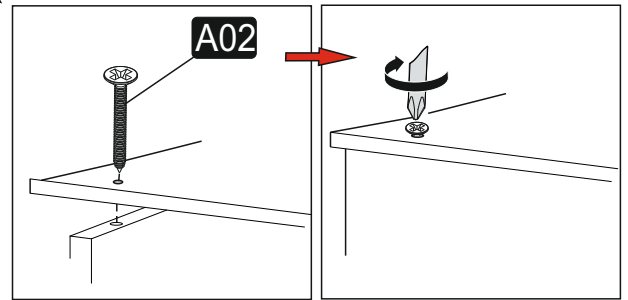
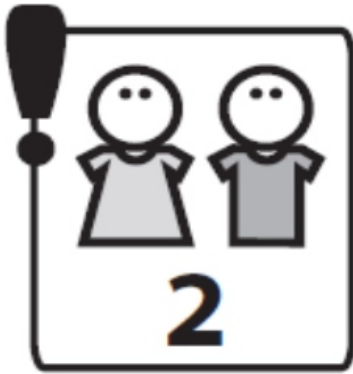
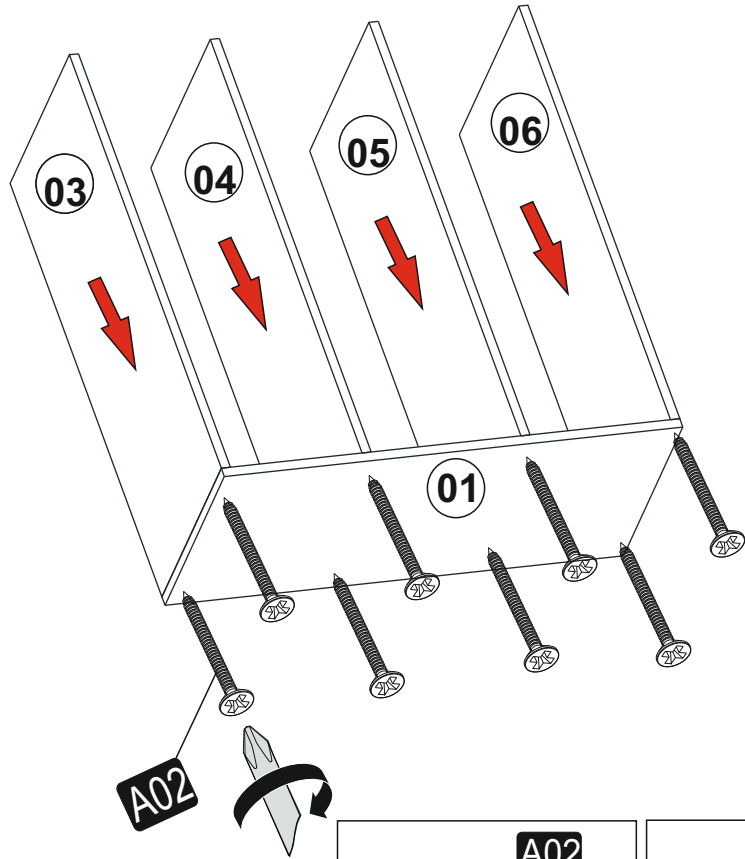
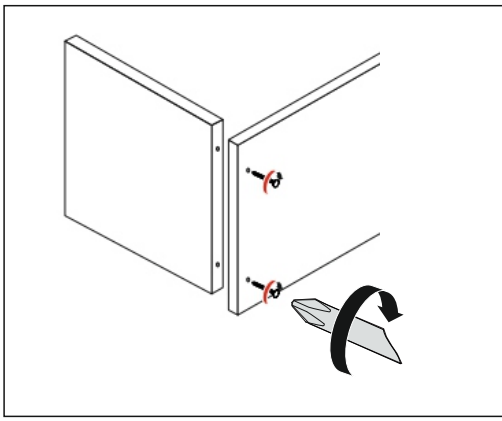
Tools required



<p>A03 3,5 x 30</p>  <p>16x</p>	<p>A02 4 x 50</p>  <p>16x</p>	<p>A10</p>  <p>24x</p>
<p>A17</p>  <p>16x</p>	<p>A14</p>  <p>4x</p>	

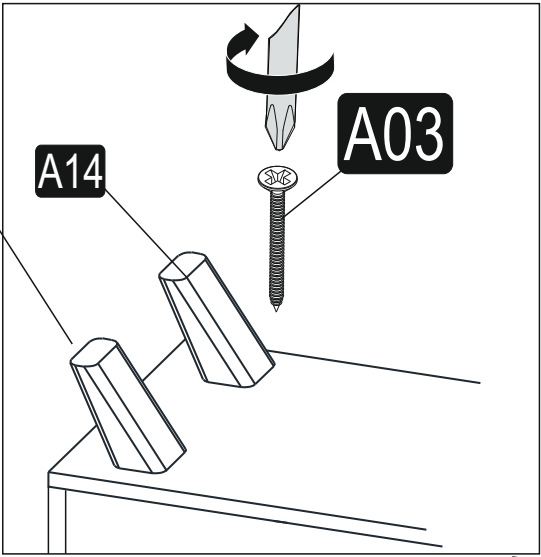
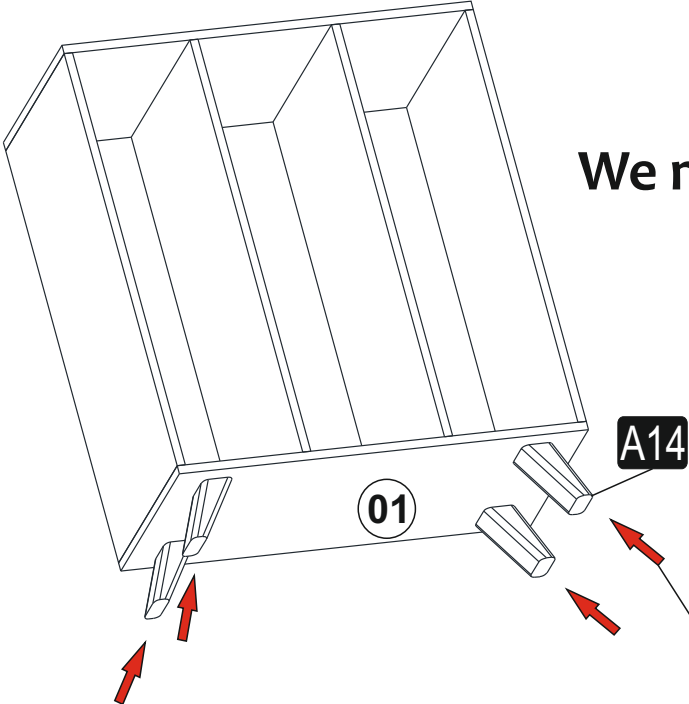


We connect parts 3,4,5 and 6 to part number 1.

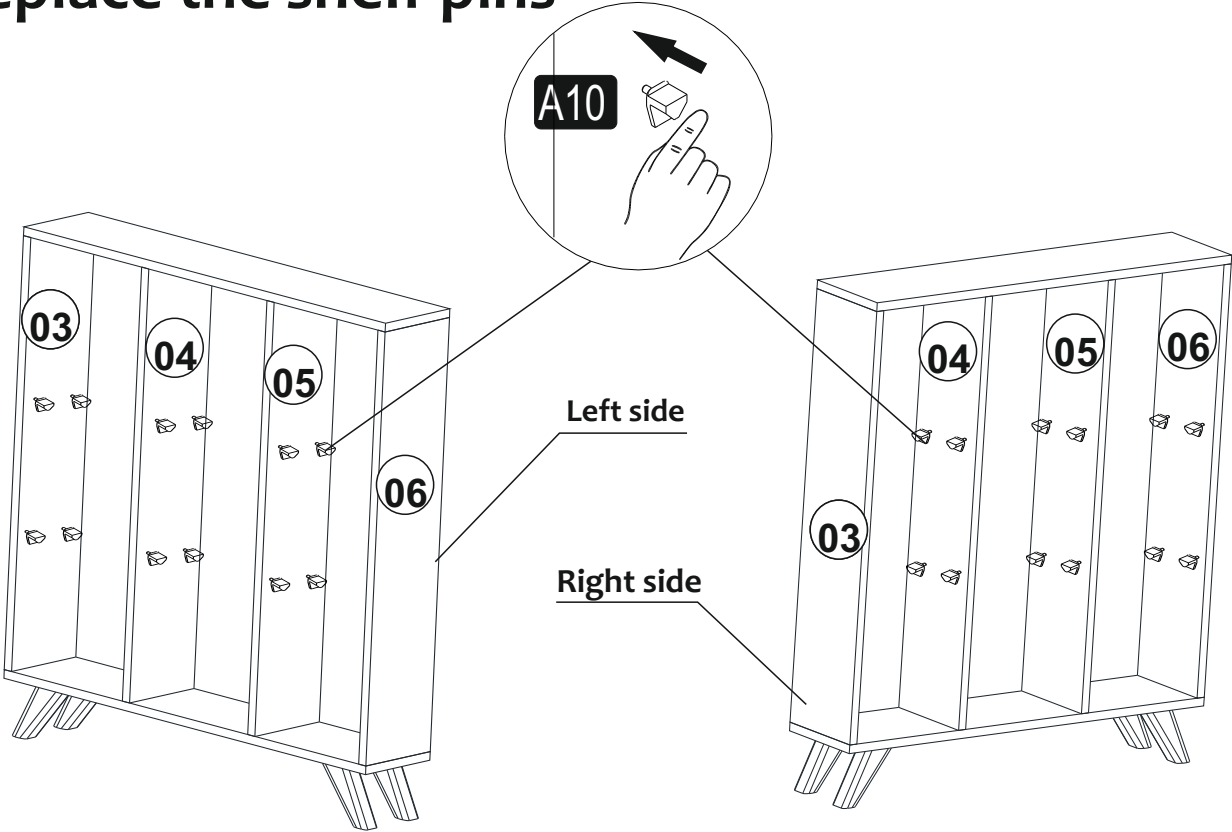


We connect part number 2 to parts 3,4,5 and 6.

We mount 4 feet in their places



replace the shelf pins



Installing the shelves

