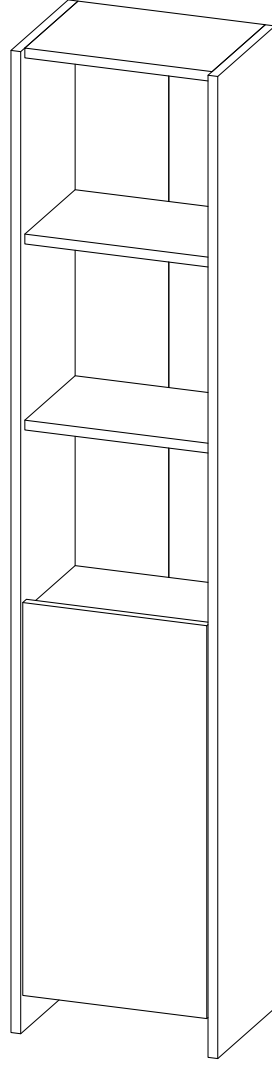
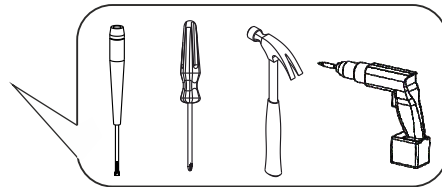
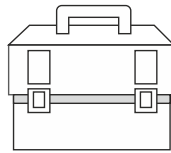
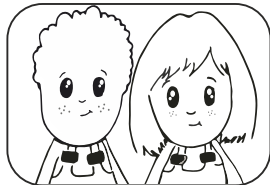


cora kitaplık

furmet



MOYEN-MEDIUM
MITTEL-MEDIO



TR/ Eğer ürününüzle ilgili yardıma ihtiyacınız olursa email: info@furmet.com.tr

UK/ If you need information about your product, email: info@furmet.com.tr

GE/ Wenn Sie Fragen zu Ihrem Produkt, email: info@furmet.com.tr

FR/ Si vous avez des questions sur votre produit, email: info@furmet.com.tr

ES/ Si tiene alguna pregunta acerca de su producto, email: info@furmet.com.tr

PT/ Se você tiver dúvidas sobre o seu produto, email: info@furmet.com.tr

SE/ Om du har frågor om din produkt, email: info@furmet.com.tr

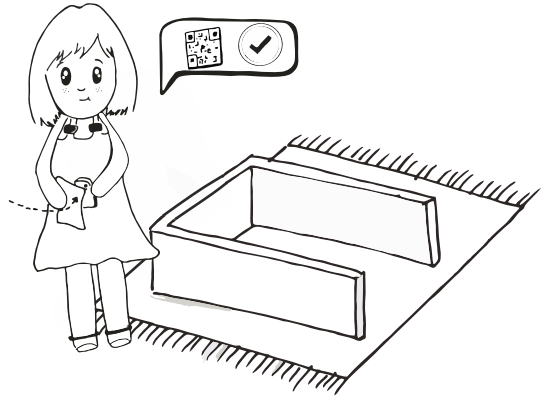
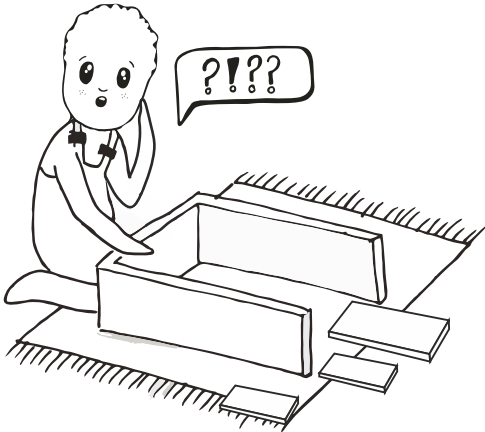
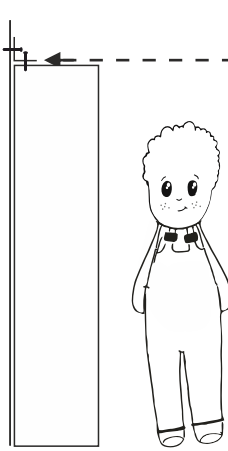
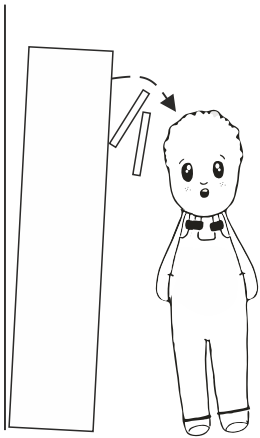
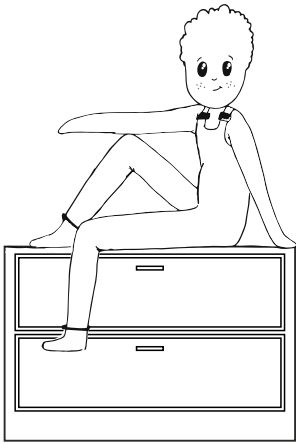
NW/ Hvis du trenger informasjon om produktet, email: info@furmet.com.tr

IT/ Se hai delle domande sul tuo articolo, ecco la mail via nuestro website

PL/ Jeśli mają Państwo pytania dotyczące produktu, email: info@furmet.com.tr

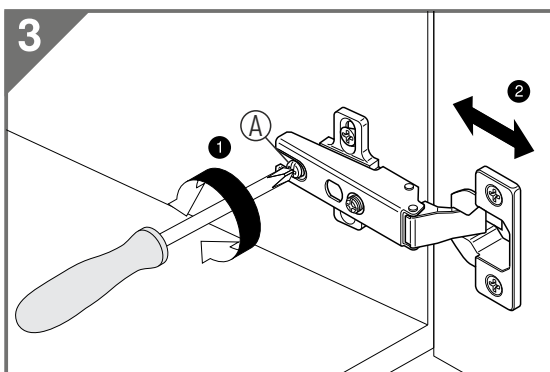
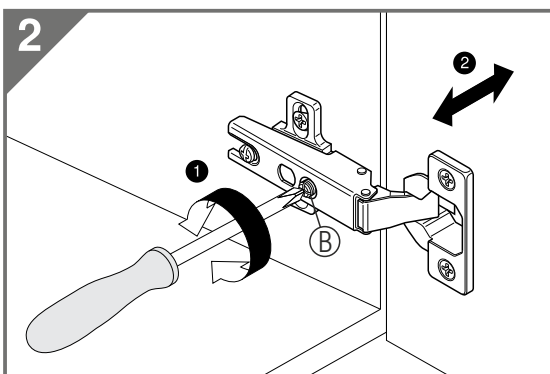
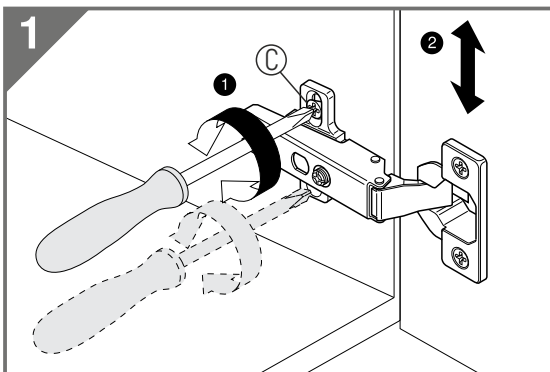
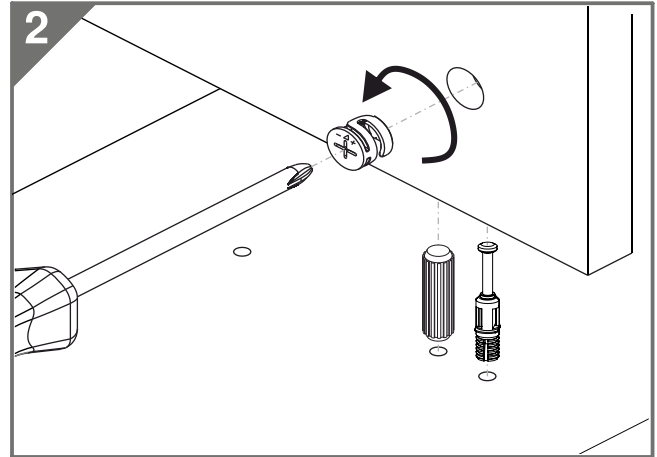
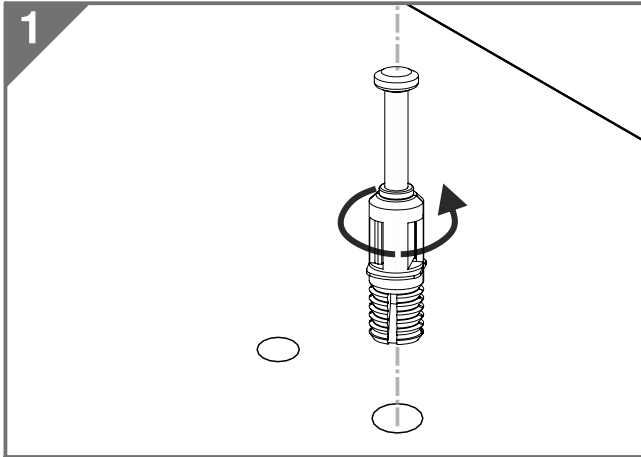
RU/ Если Вам необходима дополнительная информация о товаре, свяжитесь с нами по email: info@furmet.com.tr

hey you!



caution!

Minifix is the main connection material used in products. Before starting assembly, please check the drawings below.

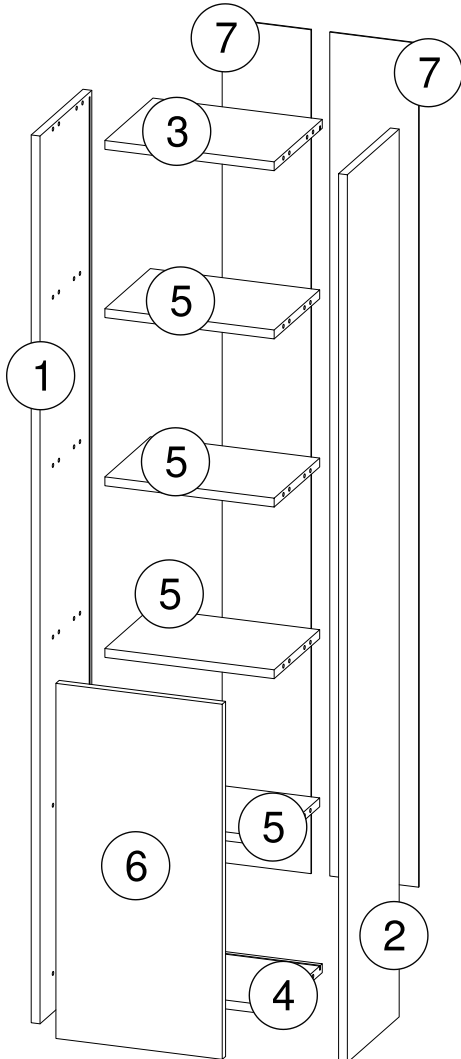
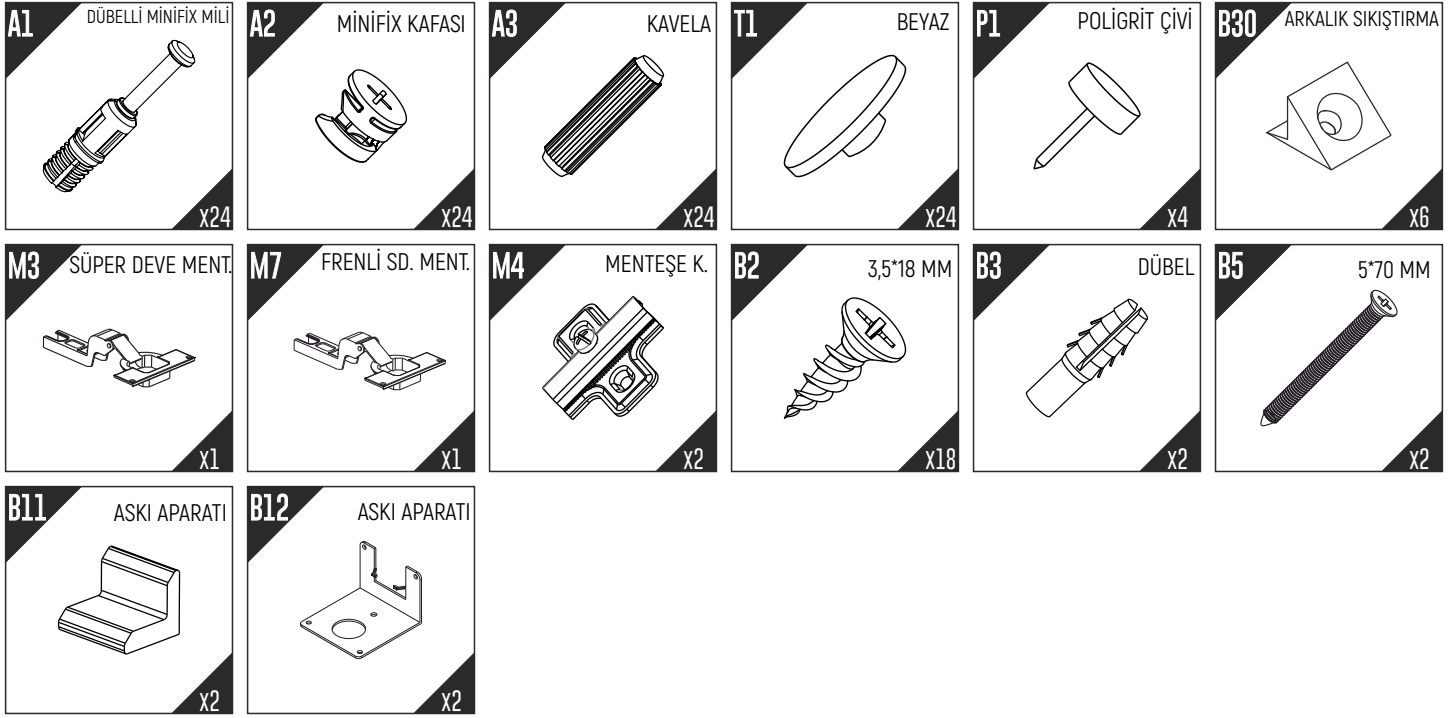


Height adjustment: Loosen screw 'C', adjust height, retighten screw 'C'.

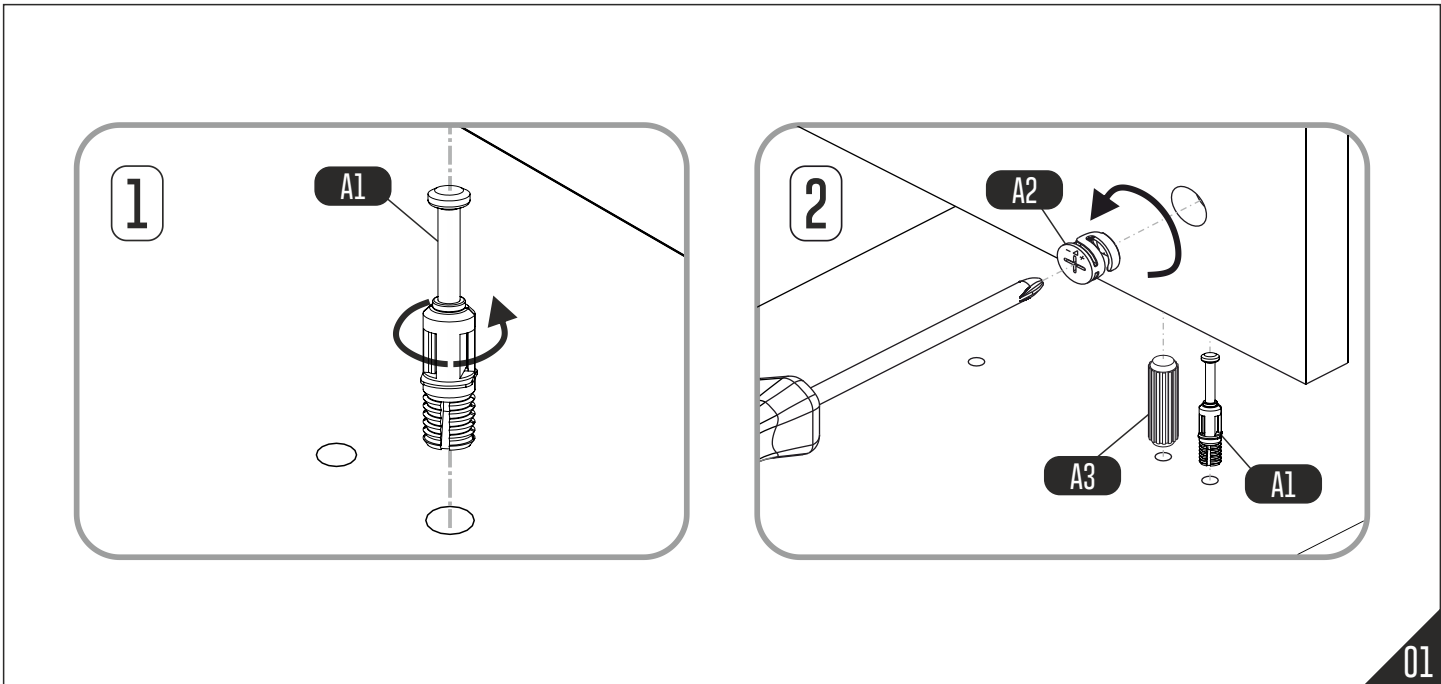
Depth adjustment: Loosen fixing 'A', push hinge arm forwards or backwards, retighten screw 'A', fix screw 'B' with a 1/4- turn in clock-wise direction.

Side adjustment: Loosen fixing screw 'A', adjust gap with screw 'B' and retighten screw 'A'.

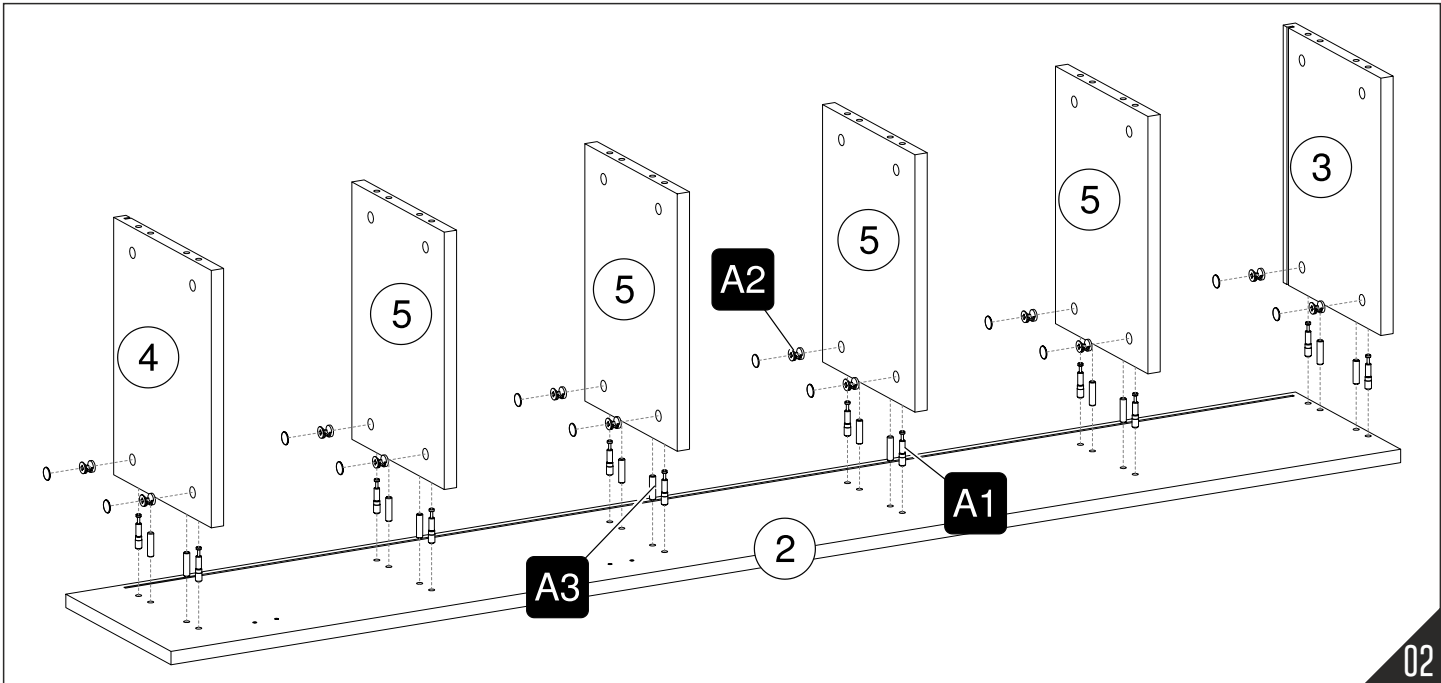
TOOLBOX



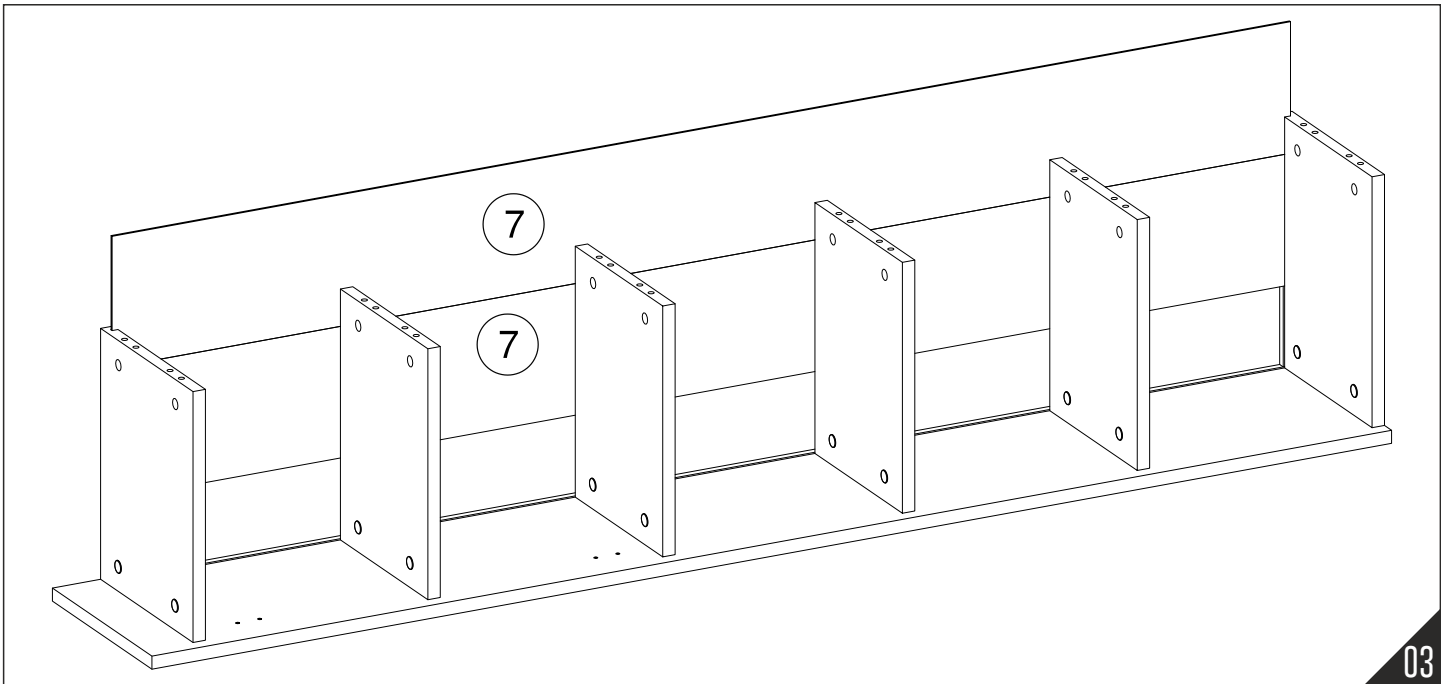
No.	Qty.
1	1
2	1
3	1
4	1
5	4
6	1
7	2



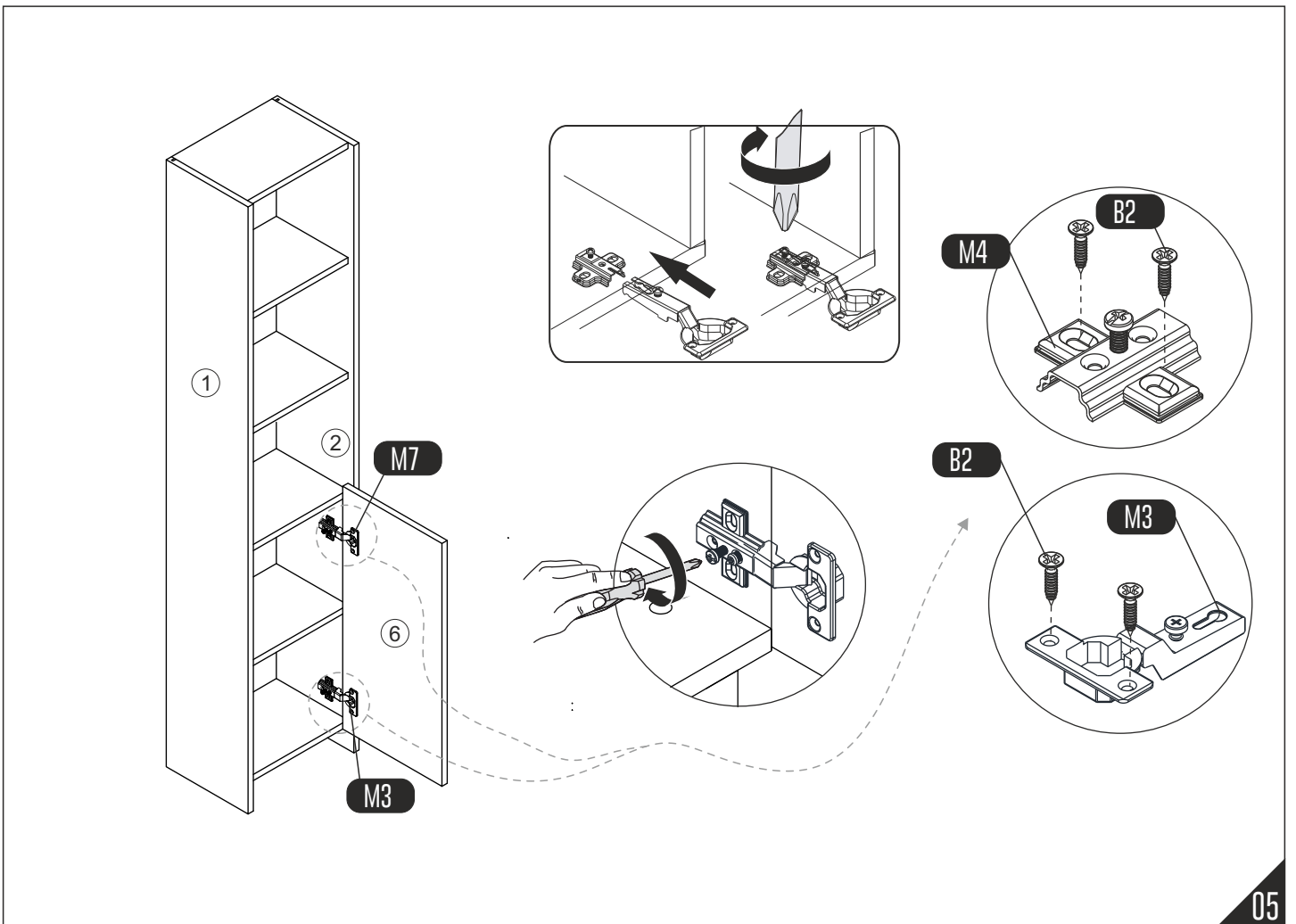
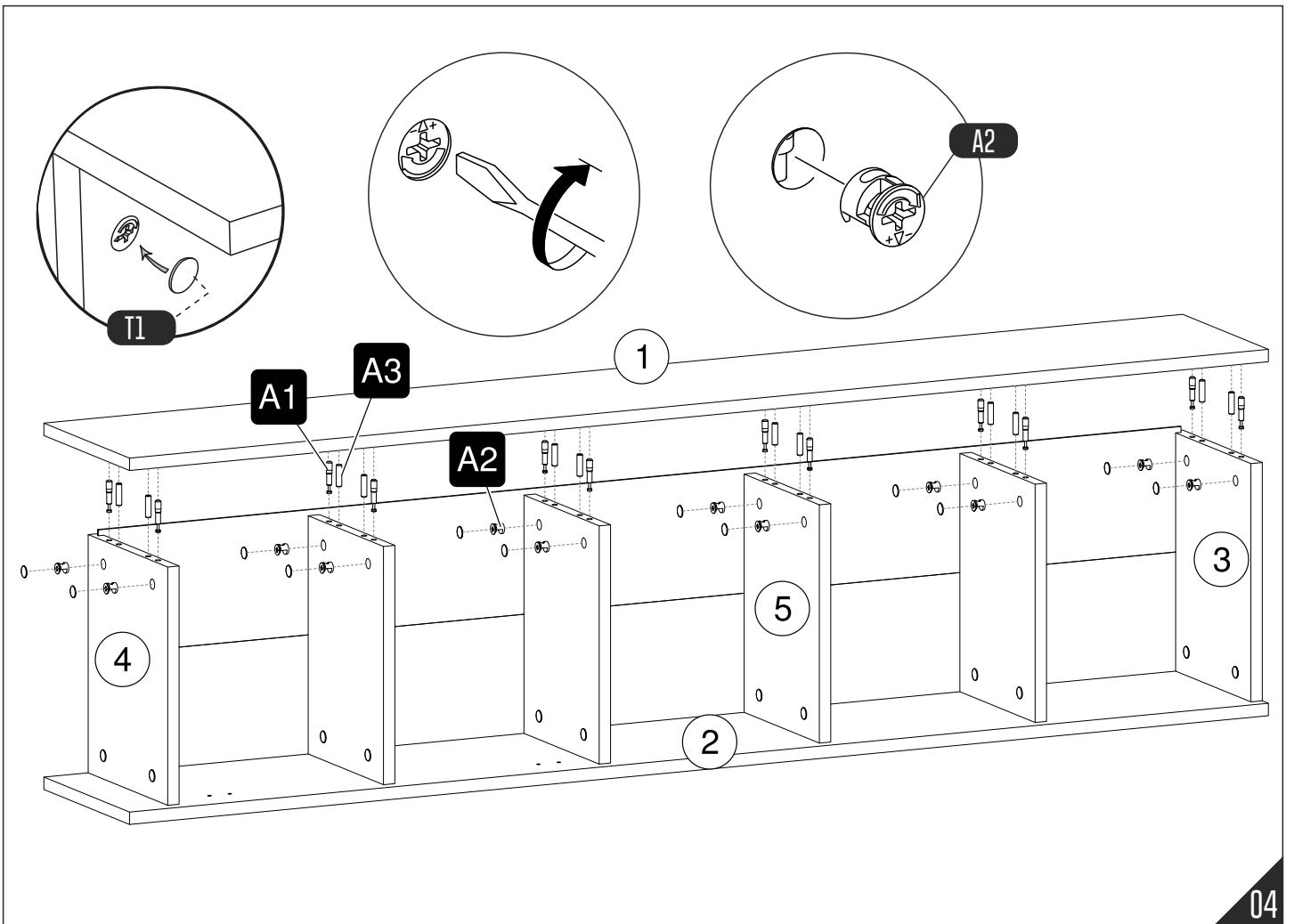
01

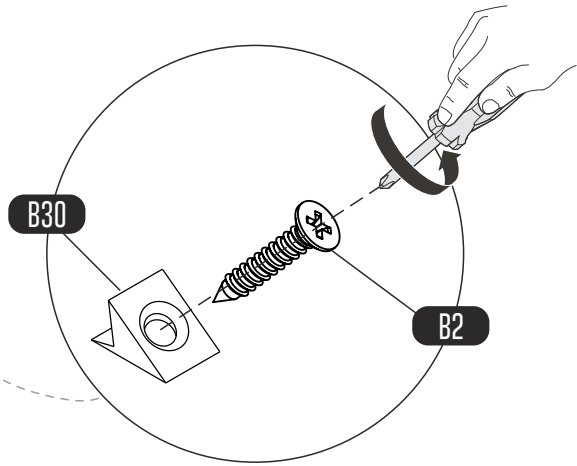
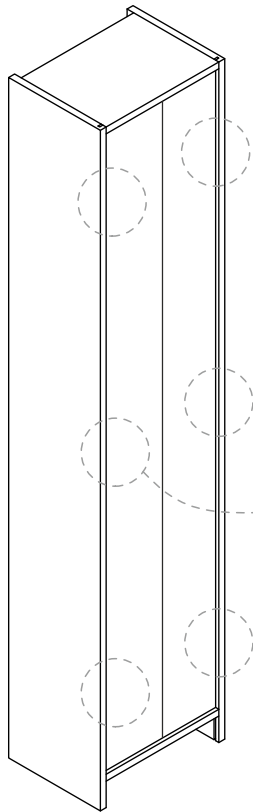


02

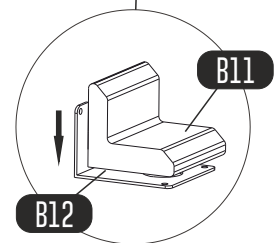
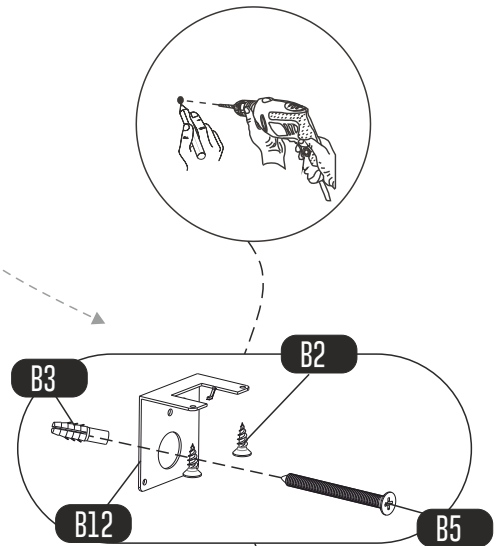
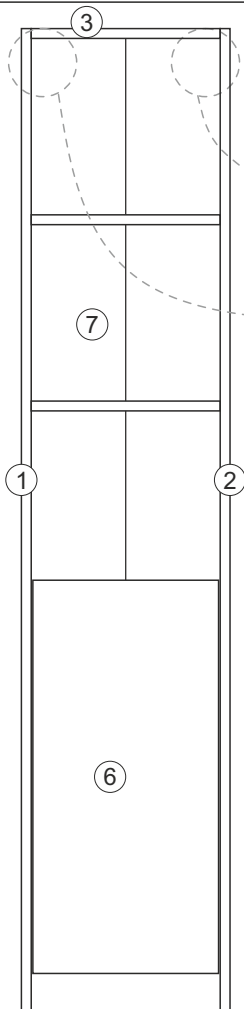


03

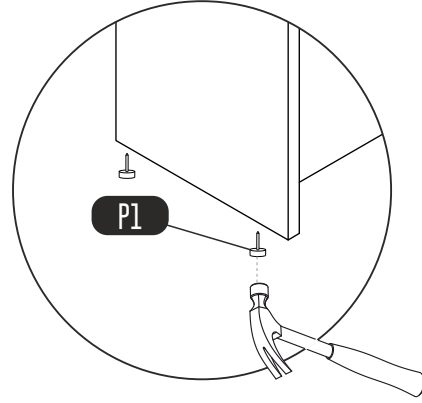
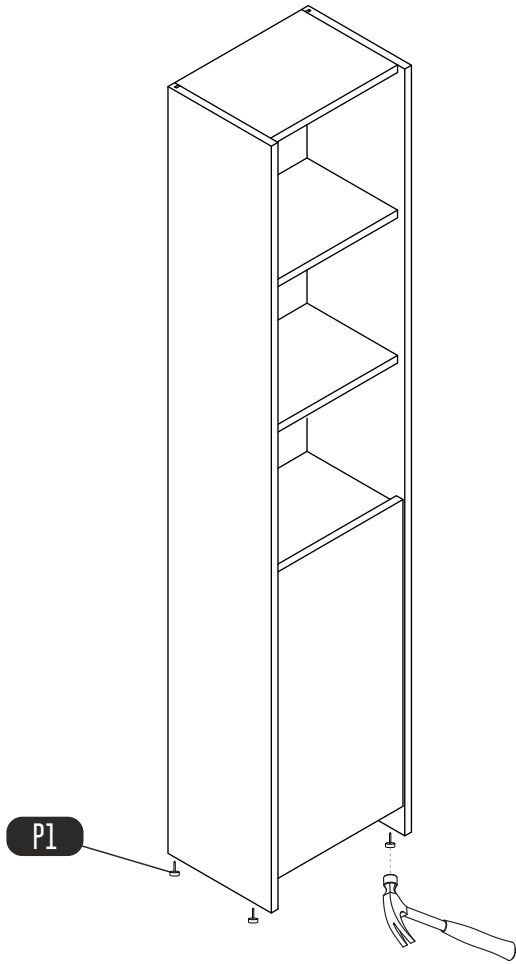


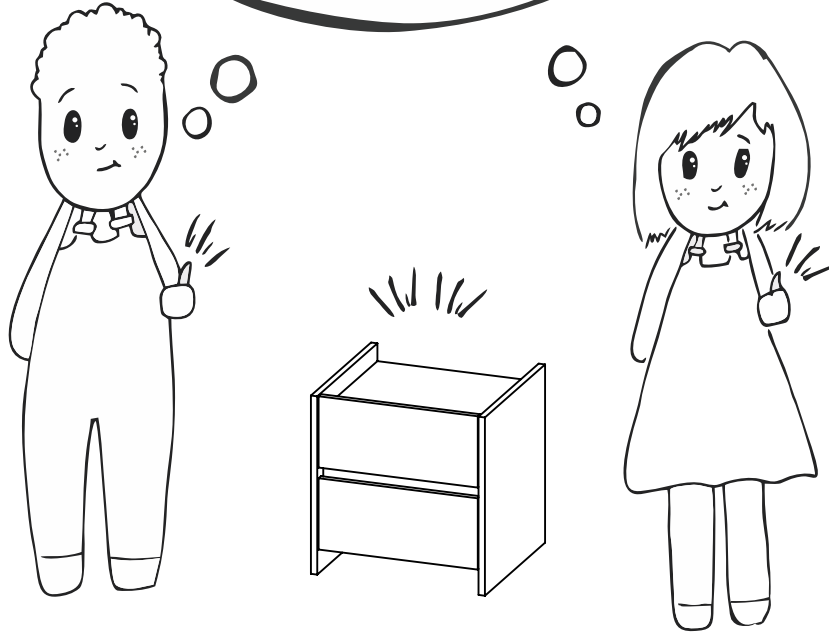


06



07





Have you seen our other products ?

www.furmet.com.tr

