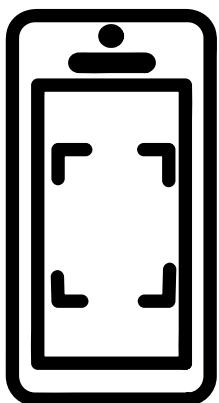
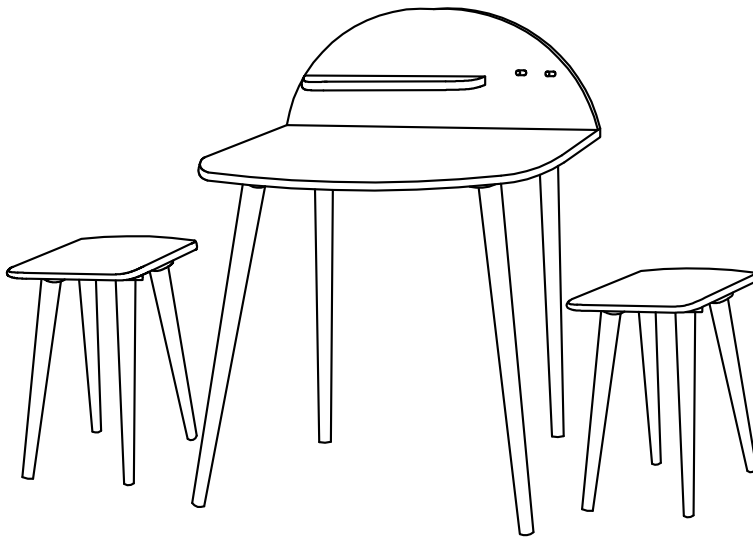


TIPS

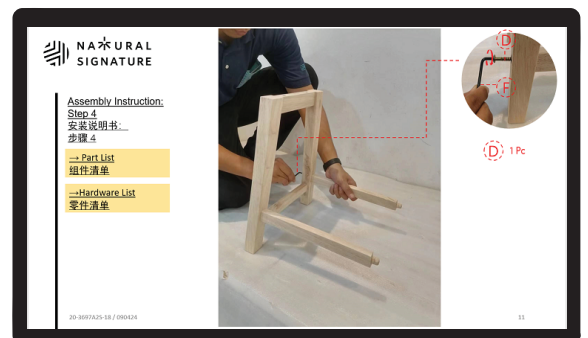
- 1 Please review all parts and hardware before disposing of any packaging.
- 2 Check to be sure that all parts and hardware are complete before you start assembly.
- 3 Before beginning assembly, separate each type of screw.
- 4 **Using a screw that is too long will cause damage.**
- 5 Carefully study the screw diagrams below.
- 6 You may receive extra hardware with your unit.
- 7 Place all parts on a clean and smooth surface to avoid the parts from being scratched.
- 8 Keep the product away from heat and humidity.
- 9 Light blue stains and natural wood knots on the product are not considered defects.
- 10 Before start assembly, please categorize the hardware.



SCAN ME



For Step-By Step Real
Photo Assembly Instructions.



CHICO DINING SET

ITEM NO.20-3911A



PART LIST

A Table Top
1Pc

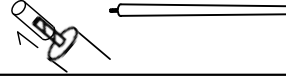


B Back Panel
1Pc



C Table Leg
4Pcs

*Remove and discard the plastic sleeve from the leg bolt.



D Shelf Panel
1Pc

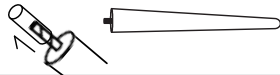


E Seat Panel
2Pc



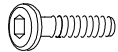
F Stool Leg
8Pcs

*Remove and discard the plastic sleeve from the leg bolt.

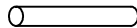


HARDWARE LIST *Before start assembly, please categorize the hardware.

G JCBC Screw M6 x 35mm
5Pcs



H Round Rod L65 x Ø12mm
2Pcs

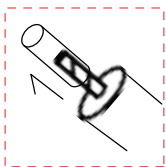


I Allen Key M4
1Pc

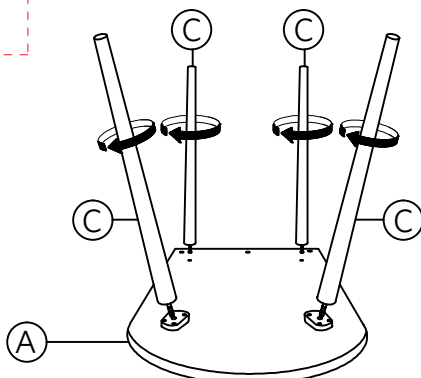


ASSEMBLY INSTRUCTIONS

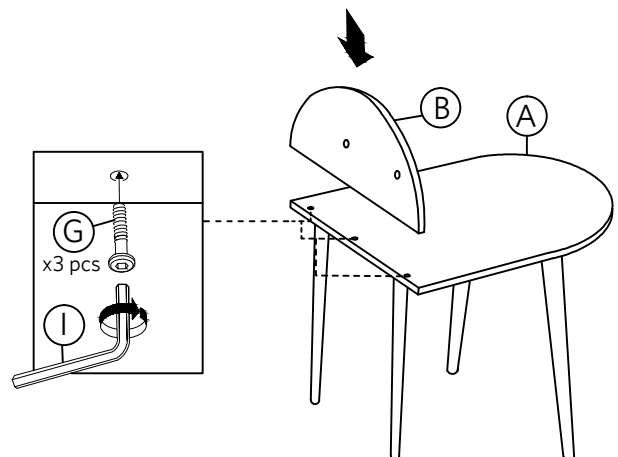
1 STEP 1



*Remove and discard the plastic sleeve from the leg bolt.

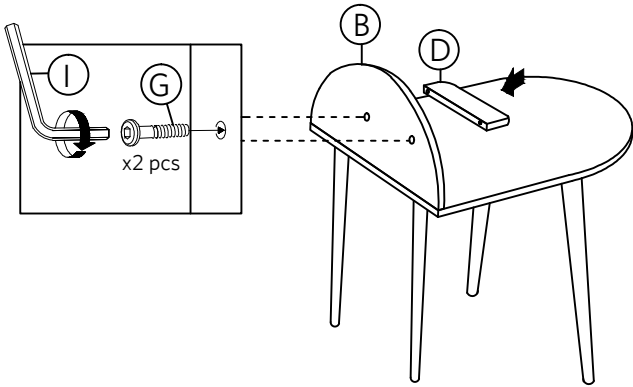


2 STEP 2

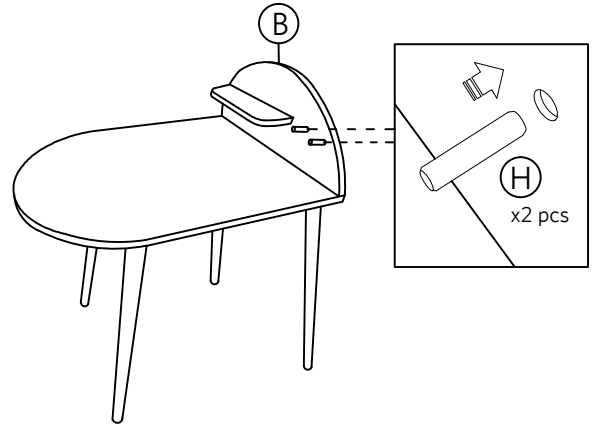


ASSEMBLY INSTRUCTIONS

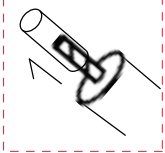
3 STEP 3



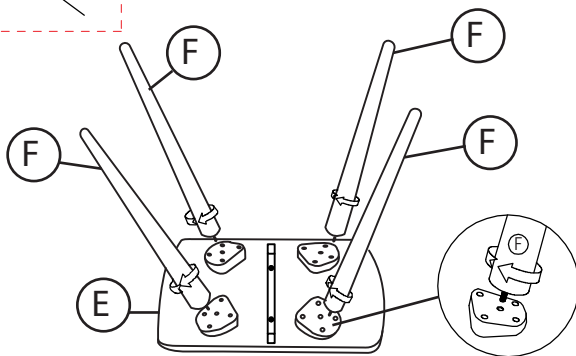
4 STEP 4



5 STEP 5

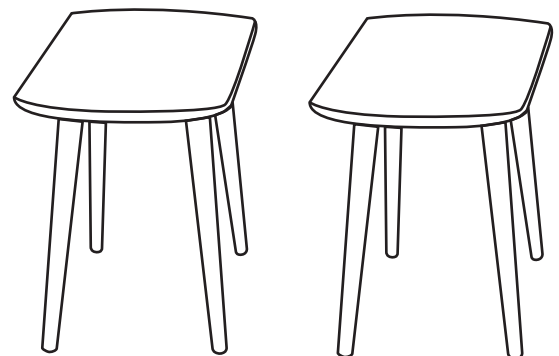


*Remove and discard the plastic sleeve from the leg bolt.



*Please repeat step 5 for second stool.

6 STEP 6



7 STEP 7

